

Product Features

- 42L capacity (top) + 82L capacity (main)
- 4 functions (top) + 8 functions (main)
- Black glass finish
- Touch control timer with white LED display
- 4 shelf positions (top) + 5 shelf positions (main)
- 1 telescopic shelf
- Deep dish baking tray
- Closed door grilling
- Removable triple glazed door
- Easily removable side racks
- Cavity cooling fan



3D COOK

This premium feature utilises all elements plus fan to distribute heat fast and more evenly. Can also be utilised as a Rapid Preheat setting.



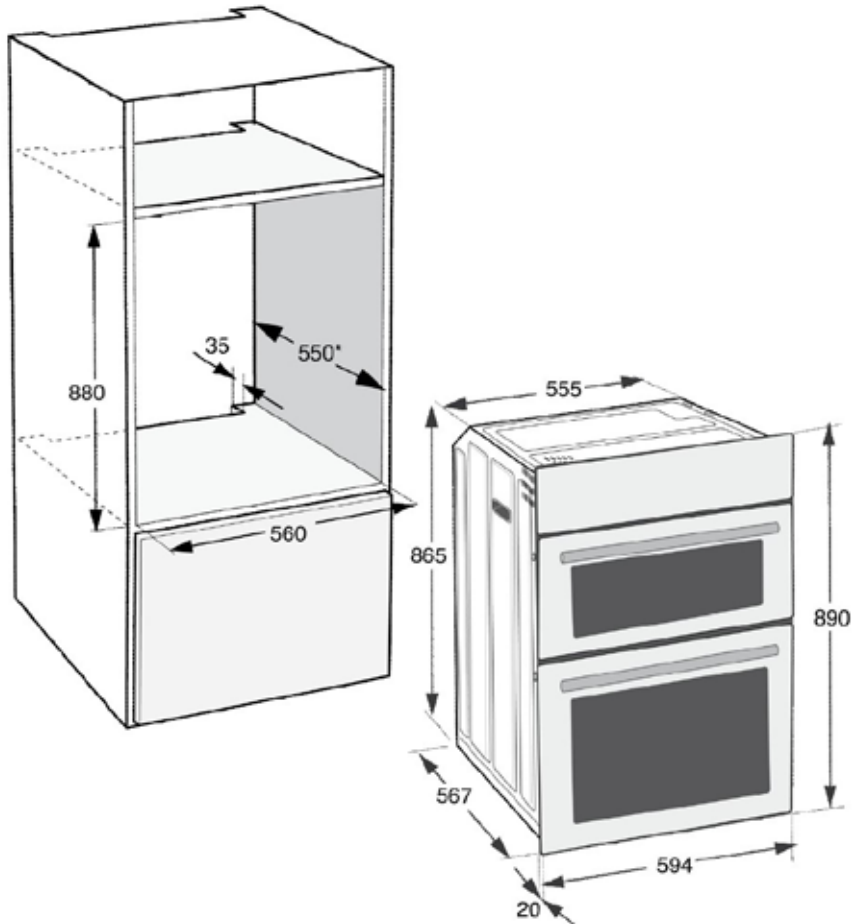
STEAM CLEAN

Generates steam to breakdown food residue that can easily be cleaned away.



TELESCOPIC SHELF

Allows you to effortlessly glide heavy baking trays in and out of the oven.



EKDO84B

Oven Functions (Top)

Full Grill	Yes
Half Grill	Yes
Conventional	Yes
Base Heat	Yes

Oven Functions (Main)

Full Grill	Yes
Half Grill with Fan	Yes
Conventional	Yes
Fan Assist	Yes
Fan Forced	Yes
3D Cook / Rapid Preheat	Yes
Base Heat / Steam Clean	Yes
Defrost	Yes

Control Panel

LED Clock / Programmer	Touch display
LED Colour	White
Control Type	Knob control

Timer

Minute Minder	Yes
Automatic Programmed Timer	Yes
Child Lock	Yes

Oven Cavity Features

Energy Rating (Eu Standard)	'A' class
Actual Capacity (L)	42 (top) / 82 (main)
Usable Capacity (L)	38 (top) / 71 (main)
Door Glass	Triple glazed
Removable Inner Glass	Yes
No. of Shelf Positions	4 (top) / 5 (main)
Cavity Cooling System	Yes
Lights	1 (top) / 1 (main)

Accessories

Telescopic Shelves	1 full extension
No. of Chrome Shelves	1 (top) / 2 (main)
Deep Dish Oven Tray	1
Standard Oven Tray	1

Installation

Installation Type	Built-in
Electrical Connection	15A hardwire
Power	220-240V / 50Hz
Flush Fit	Yes

Dimensions (Packed)

Width x Height x Depth (mm)	660 x 950 x 660
Gross Weight (kg)	57

Dimensions (Product)

Width x Height x Depth (mm)	594 x 890 x 567
Net Weight (kg)	54.1

Dimensions (Cut-Out)

Width x Height x Depth (mm)	560 x 880 x 550
-----------------------------	-----------------