

Electric Oven Solid Plate Cooktop

540mm

F54EW



- white enamel glass design front controls
- 83 litre capacity electric oven
- solid cast hotplates
- four function oven: fan forced, defrost bottom heat, bottom heat +fan (pizza)
- closed door **separate** grill - two heights
- telescopic grill runner
- triple layer glass door
- 120 minutes mechanical timer
- cavity fan cooling system
- large viewing window
- easy clean enamel cavity
- anti-tilt bracket & stability bolt

features

specifications

Total Connected Power: 8.67kW 36.125 amp

Grill Power: 1650-1800 kW

Oven Power: 1710-2030 kW

Power: 220 - 240 volt / 50 -60Hz

Gross/net weight: 63/55.5kg

Cooktop Power Total: 5000W

Front Left: 180mm - 1500W

Rear Left: 145mm - 1000W

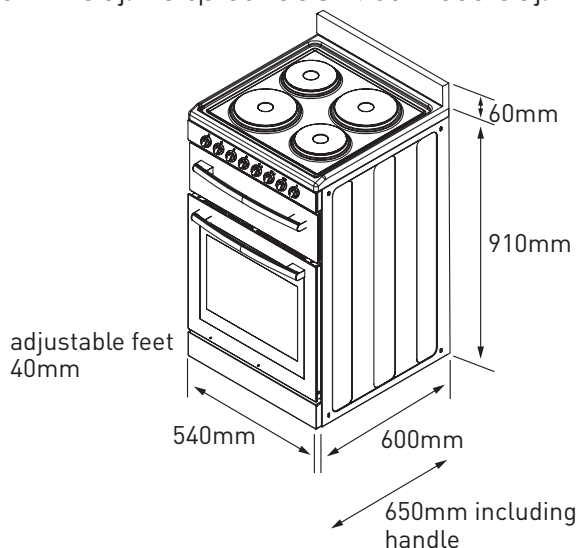
Front Right: 145mm - 1000W

Rear Right: 180mm -1500W

dimensions

Product Dimensions

540mm (W) x 600mm (650mm including handles and knobs) (D) x 910mm - 950mm adj. no splashback 960 -1000 adj. with splashback (H)



warranty - customer service



Customer Service

Our Nationwide Service Team can be contacted on **1800 805 300** or by logging on to

customersupport.hapl.com.au

HOME APPLIANCES

20 Carlotta Street
Artarmon NSW 2064

T: 02 9958 3111

F: 02 9958 3555

E: info@hapl.com.au

www.euromaid.com.au