

EDW6014X

60cm Freestanding Dishwasher

Euromaid



FEATURES	
Finish	Stainless Steel
Place Settings	14
Display	LED Indicators
Controls	Electronic Buttons
Upper Basket Type	Height Adjustable
Cutlery Tray	Mini Side Tray
Cutlery Basket	Included
No. of Spray Arms	2
Adjustable Plate Holders	1
Adjustable Mug Shelves	1
Drying System	Natural
Delay Start	3 / 6 / 9 Hours
Child Lock	Yes
Flood Protection	Overflow Sensor
Rinse Aid Indicator	Yes
Inner Tub Material	Polycarbonate
Filter Type	3 Stage

PROGRAMS	
Program 1	Intensive 72°
Program 2	Heavy 72°
Program 3	Normal 45°
Program 4	Glass 42°
Program 5	90min 65°
Program 6	Rapid 40°

AUXILIARY FUNCTIONS	
Function 1	Extra Dry

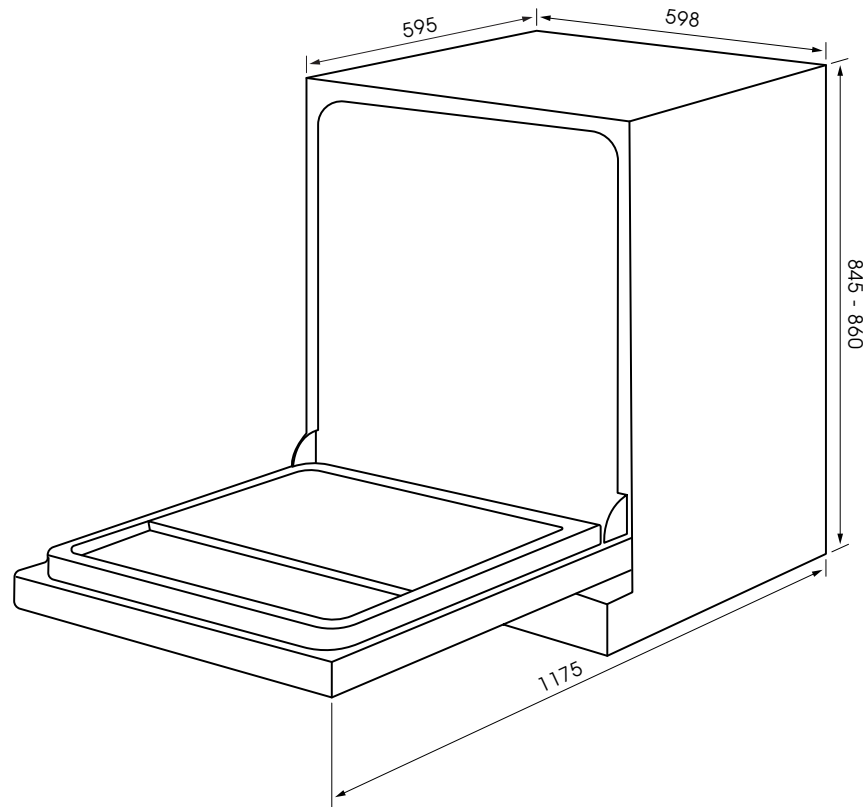


Scan for more info

EDW6014X

60cm Freestanding Dishwasher

Euromaid



TECHNICAL SPECIFICATIONS

Heating Element	1800W
Motor	Universal
Energy Star Rating	3 Stars
Energy Consumption (kWh Per Year)*	320kWh
WELS Star Rating	4.5 Stars
Wash Consumption (Litres Per Wash)**	12.2L
Noise Level	49dB

INSTALLATION

Electrical Conncetion	10A Plug & Lead
Power	220 - 240V / 50Hz
Total Power	2100W
Installation Type	Freestanding

WEIGHTS & DIMENSIONS (W x H x D)

Product (mm)	598 x 845 - 860 x 595
Cut-Out (mm)	645 x 850 - 870 x 600
Carton (mm)	645 x 871 x 645
Gross Weight (kg)	45.2
Net Weight (kg)	41.6

WARRANTY

2 Years	Parts and Labour
---------	------------------

*When using the Eco 45° program seven times per week | **When using the Eco 45° program

VERSION NO. 20220802

Product and cut-out dimensions are to be used as a guide only. Please refer to actual product before installing, or refer to the instruction manual or website for full instructions.

euromaid.com.au